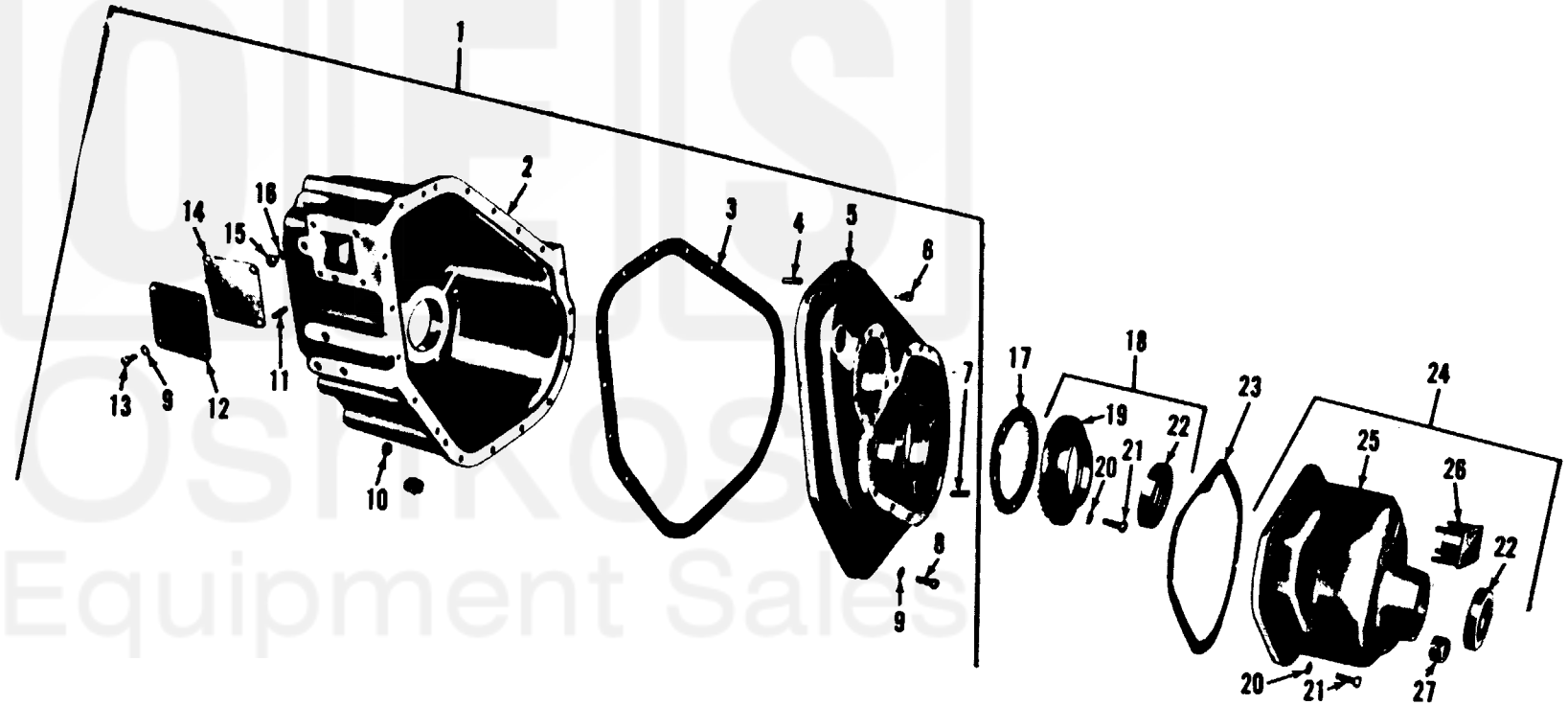


(1) SMR Code	(2) Federal Stock Number	(3) DESCRIPTION	(4) UNIT	(5) Qty	(6) 30-day DS maint	(7) 30-day GS maint	(8) 1-yr	(9) Depot	(10) Illustration	of meas	inc. allowance	allowance	alw	maint	per equip	100	(a) cnt-	(b) equip	(c) No.	(a) Figure	(b) Item No.	
Reference Number & Mfr. Code			Usable On Code			(a)	(b)	(c)	(a)	(b)	(c)	gcy										
0801-POWER TRANSFER AND FINAL DRIVE ASSEMBLIES-CONTINUED																						
P-F	2520-734-6753	SHIM,TRANSFER CASE: 0.0030 REAR BEARING (COMPONENT OF KIT, REPAIR, TRANSFER, FSN 2520-737-5247) 7346753 (19207)	A	EA	1	*	*	*	*	*	*	15				52					13	
P-F	5315-699-8460	PIN,STRAIGHT HEADLESS:REAR BEARING RETAINER 7521237 (19207)	A	EA	1	*	*	*	*	*	*	6	10			52					14	
P-O	4730-954-1281	PLUG: TRANSFER CASE MS49005-4 (96906)	A	EA	1	*	*	*	*	*	*	8	10			52					15	
P-O	4730-045-9835	PLUG,PIPE,MAGNETIC: DRAIN MS49006-14 (96906)	A	EA	1	*	*	*	*	*	*	8	10			52					16	
P-F	2520-741-1067	CASE ASSEMBLY, TRANSFER: 7411067 (19207)	A	EA	1	*	*	*	*	*	*	3	5			53					1	
X1		HOUSING: TRANSFER CASE 7375245 (19207)	A		1											53					2	
X1		GASKET: TRANSFER, CASE COVER (COMPONENT OF GASKET SET, FSN 2520-734-6775) 7375246 (19207)	A		1											53					3	
P-F	5315-010-0360	PIN: TRANSFER CASE 100360 (24617)	A	EA	1	*	*	*	*	*	*	6	10			53					4	
X1		COVER: TRANSFER CASE 8758286 (19207)	A		1											53					5	
P-F	4820-287-6119	VALVE,AIR PRESSURE RELIEF: 43-8575-045-010 (81336)	A	EA	1	*	*	*	*	*	*	6	10			53					6	
X2-F		PIN: TRANSFER CASE COVER 7521442 (19207)	A	EA	1	*	*	*	*	*	*					53					7	
P-F	5305-022-4048	SCREW,CAP,HEXAGON HEAD: COVER FFS85 (81348)	A	EA	19	*	*	*	*	*	*	6	10			53					8	
P-F	5310-209-0965	WASHER,LOCK: COVER MS35338-47 (96906)	A	EA	19	*	*	*	*	*	*	6	10			53					9	
P-F	5310-880-7745	NUT,PLAIN,HEXAGON: COVER TO HOUSING MS51968-11 (96906)	A	EA	19	*	*	*	*	*	*	6	10			53					10	
P-F	5306-208-7375	BOLT, MACHINE: HIGH AND LOW RANGE SHIFTER SHAFT 1DX506 (78500)	A	EA	1	*	*	*	*	*	*	6	10			53					11	
X2-F		PLATE: HOUSING 7346761-(19207)	A	EA	1	*	*	*	*	*	*					53					12	
P-F	5305-558-4181	SCREW,CAP,HEXAGON: PLATE TO HOUSING MS90728-59 (96906)	A	EA	4	*	*	*	*	*	*	6	10			53					13	



AT 47193

Figure 53. Transmission case, covers and gaskets—rear view.